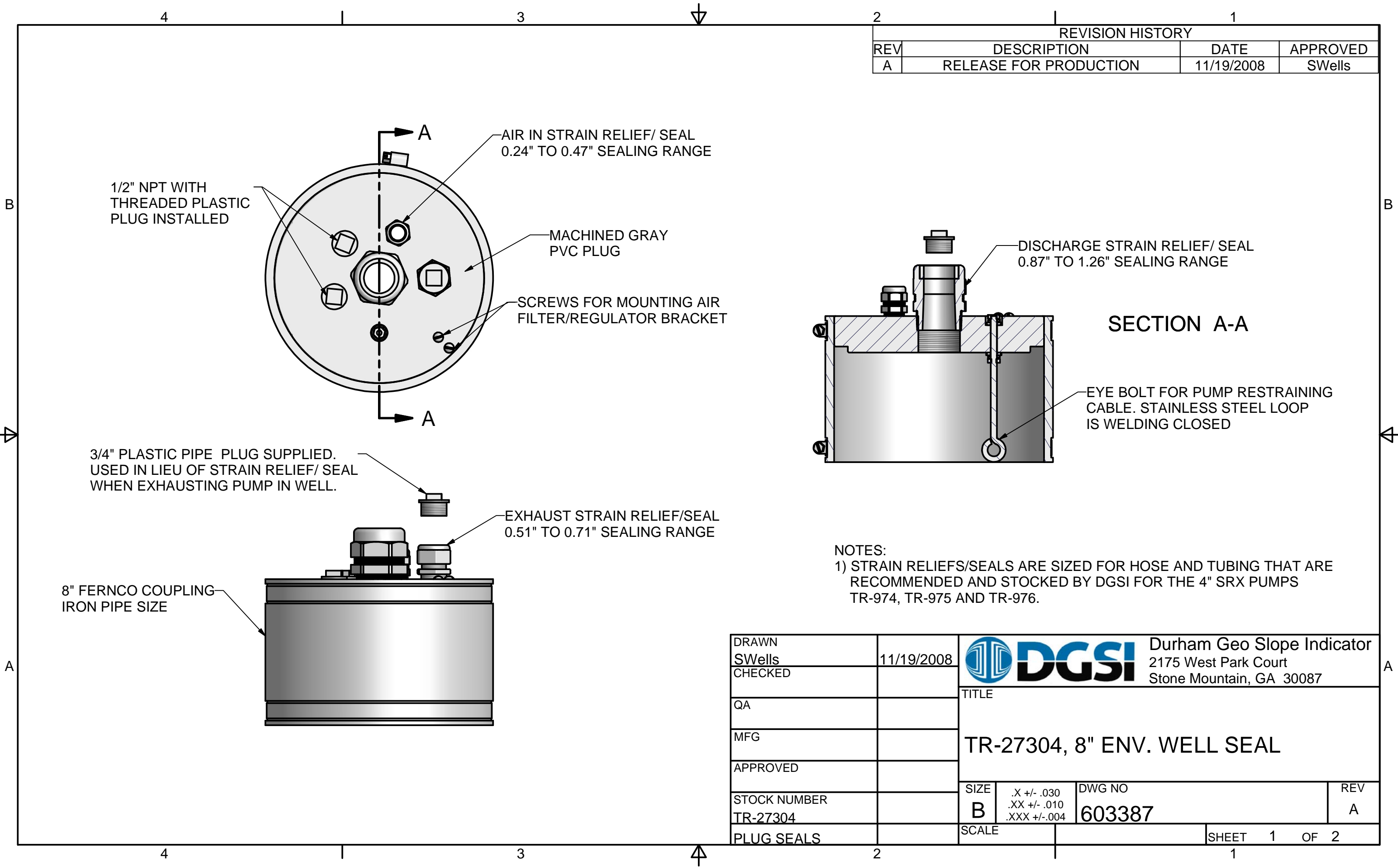


REVISION HISTORY			
REV	DESCRIPTION	DATE	APPROVED
A	RELEASE FOR PRODUCTION	11/19/2008	SWells



1/2" NPT WITH
THREADED PLASTIC
PLUG INSTALLED

AIR IN STRAIN RELIEF/ SEAL
0.24" TO 0.47" SEALING RANGE

MACHINED GRAY
PVC PLUG

SCREWS FOR MOUNTING AIR
FILTER/REGULATOR BRACKET

DISCHARGE STRAIN RELIEF/ SEAL
0.87" TO 1.26" SEALING RANGE

SECTION A-A


EYE BOLT FOR PUMP RESTRAINING
CABLE. STAINLESS STEEL LOOP
IS WELDING CLOSED

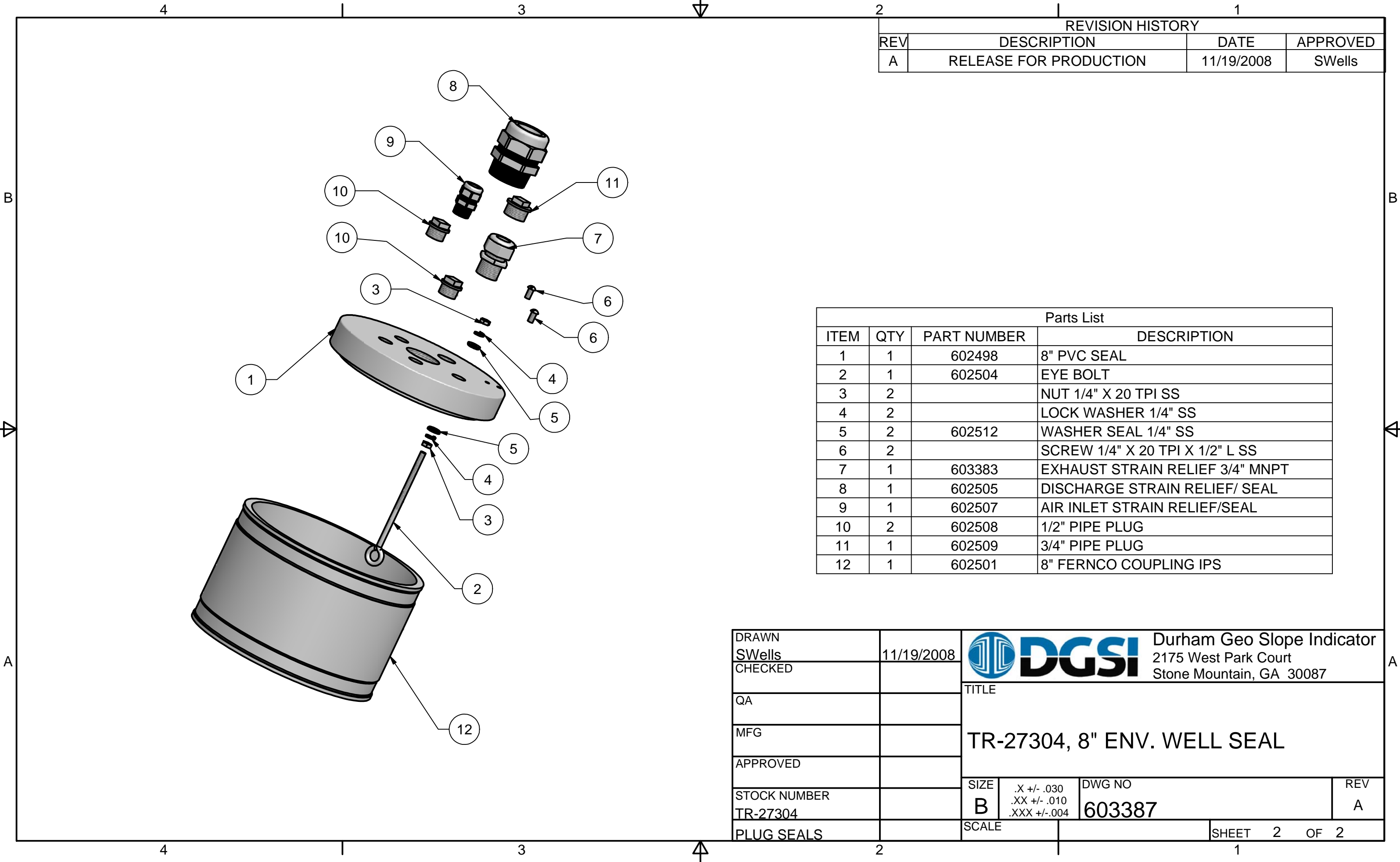
3/4" PLASTIC PIPE PLUG SUPPLIED.
USED IN LIEU OF STRAIN RELIEF/ SEAL
WHEN EXHAUSTING PUMP IN WELL.

EXHAUST STRAIN RELIEF/SEAL
0.51" TO 0.71" SEALING RANGE

8" FERNCO COUPLING
IRON PIPE SIZE


NOTES:
1) STRAIN RELIEFS/SEALS ARE SIZED FOR HOSE AND TUBING THAT ARE
RECOMMENDED AND STOCKED BY DGSi FOR THE 4" SRX PUMPS
TR-974, TR-975 AND TR-976.

DRAWN SWells	11/19/2008	 DGSi Durham Geo Slope Indicator 2175 West Park Court Stone Mountain, GA 30087												
CHECKED														
QA		TITLE												
MFG		TR-27304, 8" ENV. WELL SEAL												
APPROVED														
STOCK NUMBER TR-27304		<table border="1"> <tr> <td>SIZE</td> <td>.X +/- .030</td> <td>DWG NO</td> <td>REV</td> </tr> <tr> <td></td> <td>.XX +/- .010</td> <td>603387</td> <td>A</td> </tr> <tr> <td></td> <td>.XXX +/- .004</td> <td></td> <td></td> </tr> </table>	SIZE	.X +/- .030	DWG NO	REV		.XX +/- .010	603387	A		.XXX +/- .004		
SIZE	.X +/- .030	DWG NO	REV											
	.XX +/- .010	603387	A											
	.XXX +/- .004													
PLUG SEALS		SCALE	SHEET 1 OF 2											



REVISION HISTORY			
REV	DESCRIPTION	DATE	APPROVED
A	RELEASE FOR PRODUCTION	11/19/2008	SWells

Parts List			
ITEM	QTY	PART NUMBER	DESCRIPTION
1	1	602498	8" PVC SEAL
2	1	602504	EYE BOLT
3	2		NUT 1/4" X 20 TPI SS
4	2		LOCK WASHER 1/4" SS
5	2	602512	WASHER SEAL 1/4" SS
6	2		SCREW 1/4" X 20 TPI X 1/2" L SS
7	1	603383	EXHAUST STRAIN RELIEF 3/4" MNPT
8	1	602505	DISCHARGE STRAIN RELIEF/ SEAL
9	1	602507	AIR INLET STRAIN RELIEF/SEAL
10	2	602508	1/2" PIPE PLUG
11	1	602509	3/4" PIPE PLUG
12	1	602501	8" FERNCO COUPLING IPS

DRAWN SWells	11/19/2008	 DGS	Durham Geo Slope Indicator 2175 West Park Court Stone Mountain, GA 30087	
CHECKED			TITLE	
QA		TR-27304, 8" ENV. WELL SEAL		
MFG				
APPROVED				
STOCK NUMBER TR-27304		SIZE B	DWG NO 603387	REV A
PLUG SEALS		SCALE	SHEET 2 OF 2	